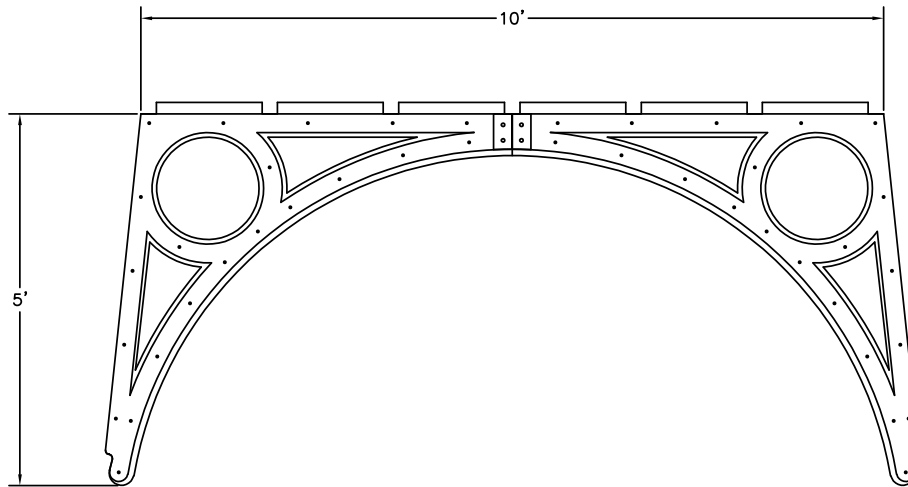


# LUX OCULI NYC

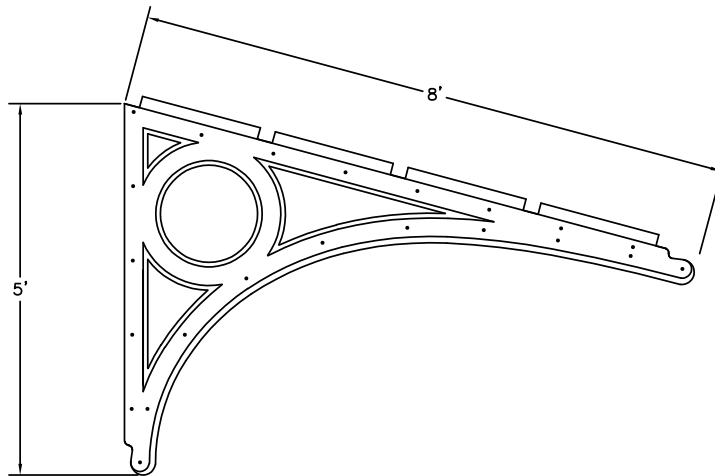
## ALPHA SERIES

### LAMINATED STRUCTURAL ARCH SYSTEM

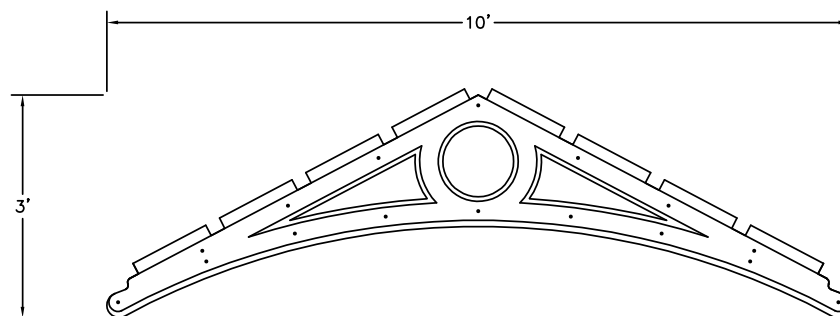
U.S. PATENT # 10 472 824



MODEL A



MODEL B



MODEL C

TIMOTHY BARRY

[www.LuxOculi.NYC](http://www.LuxOculi.NYC)

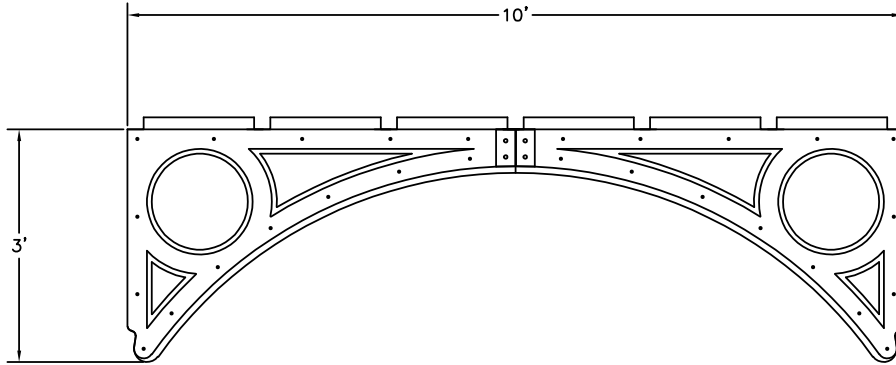
917-747-9313

# LUX OCULI NYC

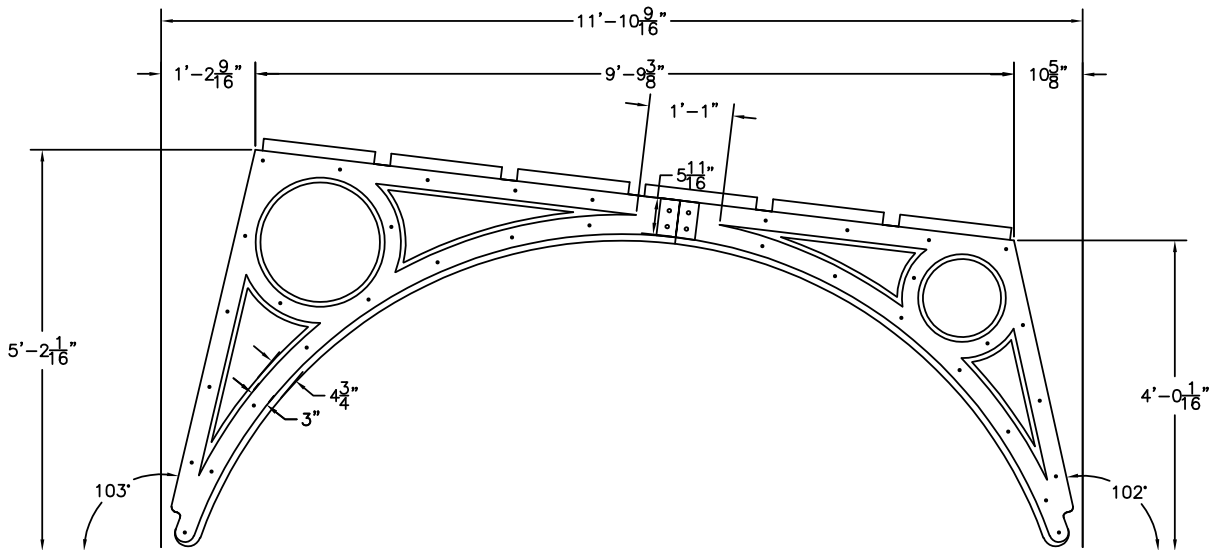
## ALPHA SERIES

### LAMINATED STRUCTURAL ARCH SYSTEM

U.S. PATENT # 10 472 824



MODEL D



MODEL E

TIMOTHY BARRY

[www.LuxOculi.NYC](http://www.LuxOculi.NYC)

917-747-9313