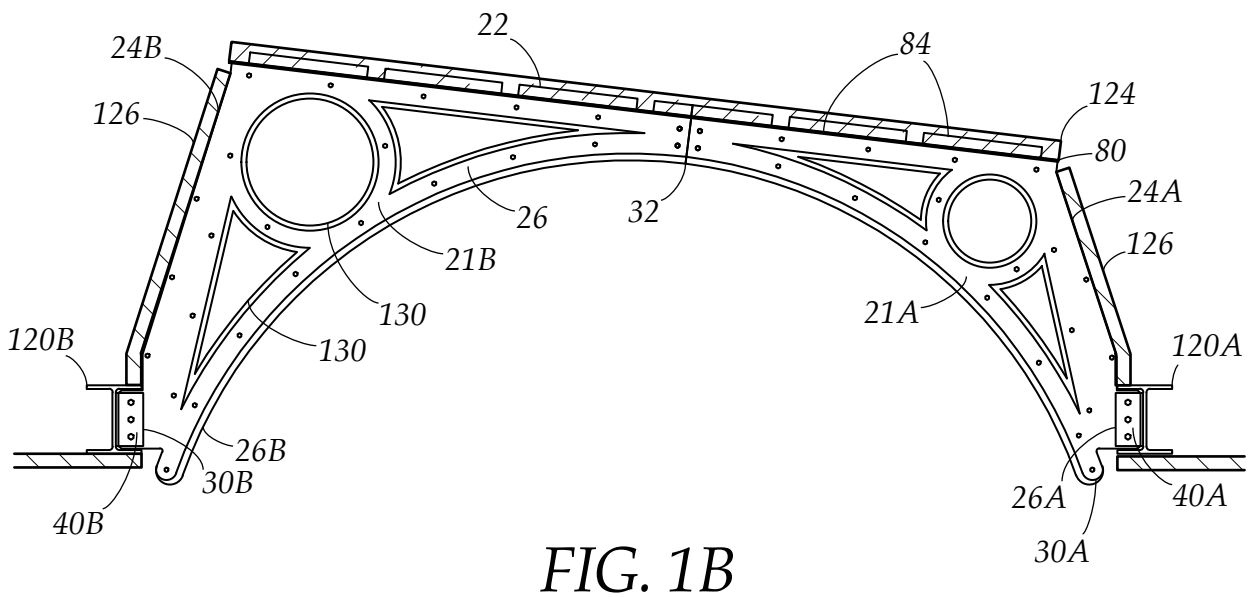
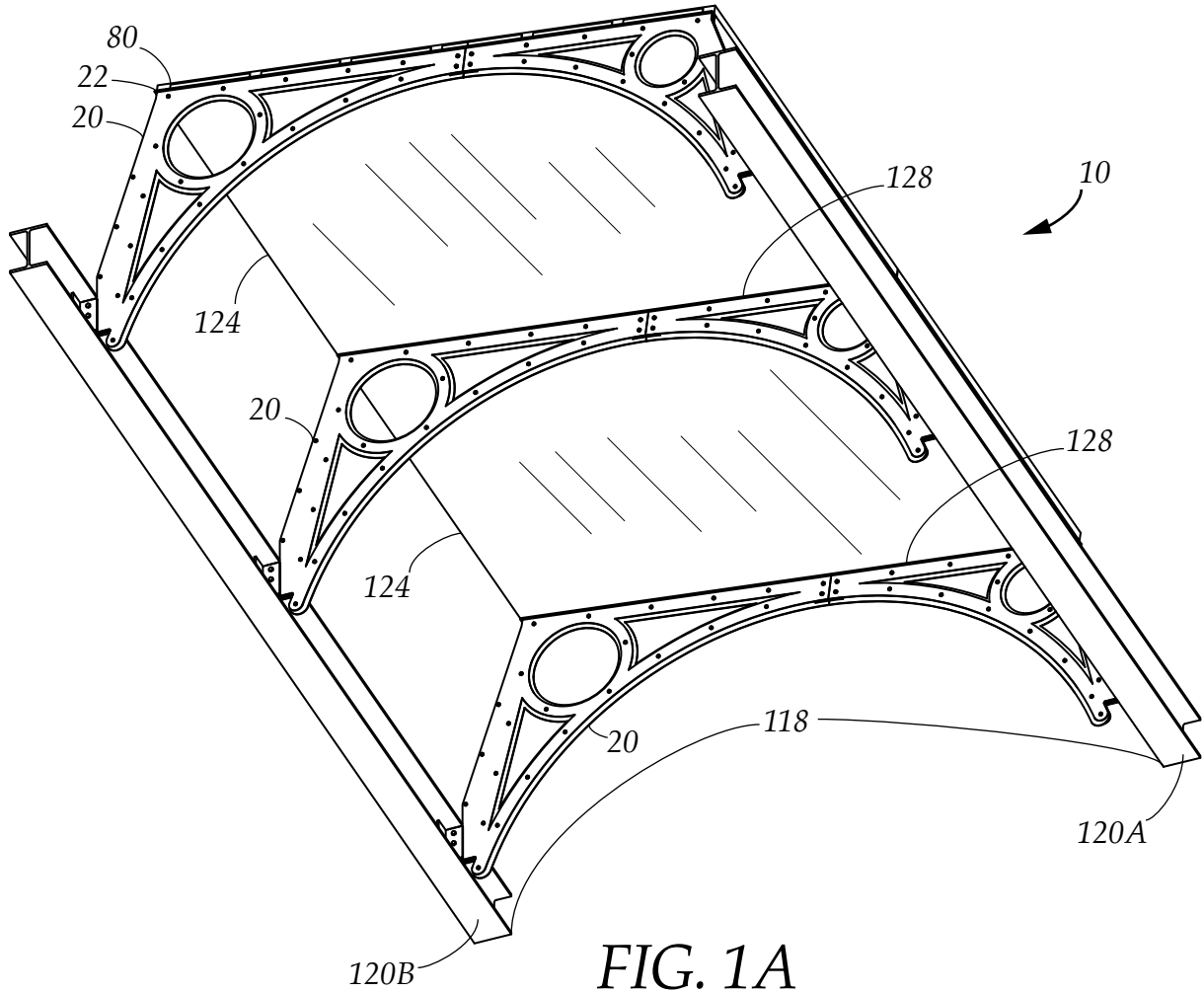


LAMINATED STRUCTURAL ARCH SYSTEM
U.S. PATENT APPLICATION # 16/116,228



TIMOTHY B. BARRY
917.747.9313

LAMINATED STRUCTURAL ARCH SYSTEM
U.S. PATENT APPLICATION # 16/116,228

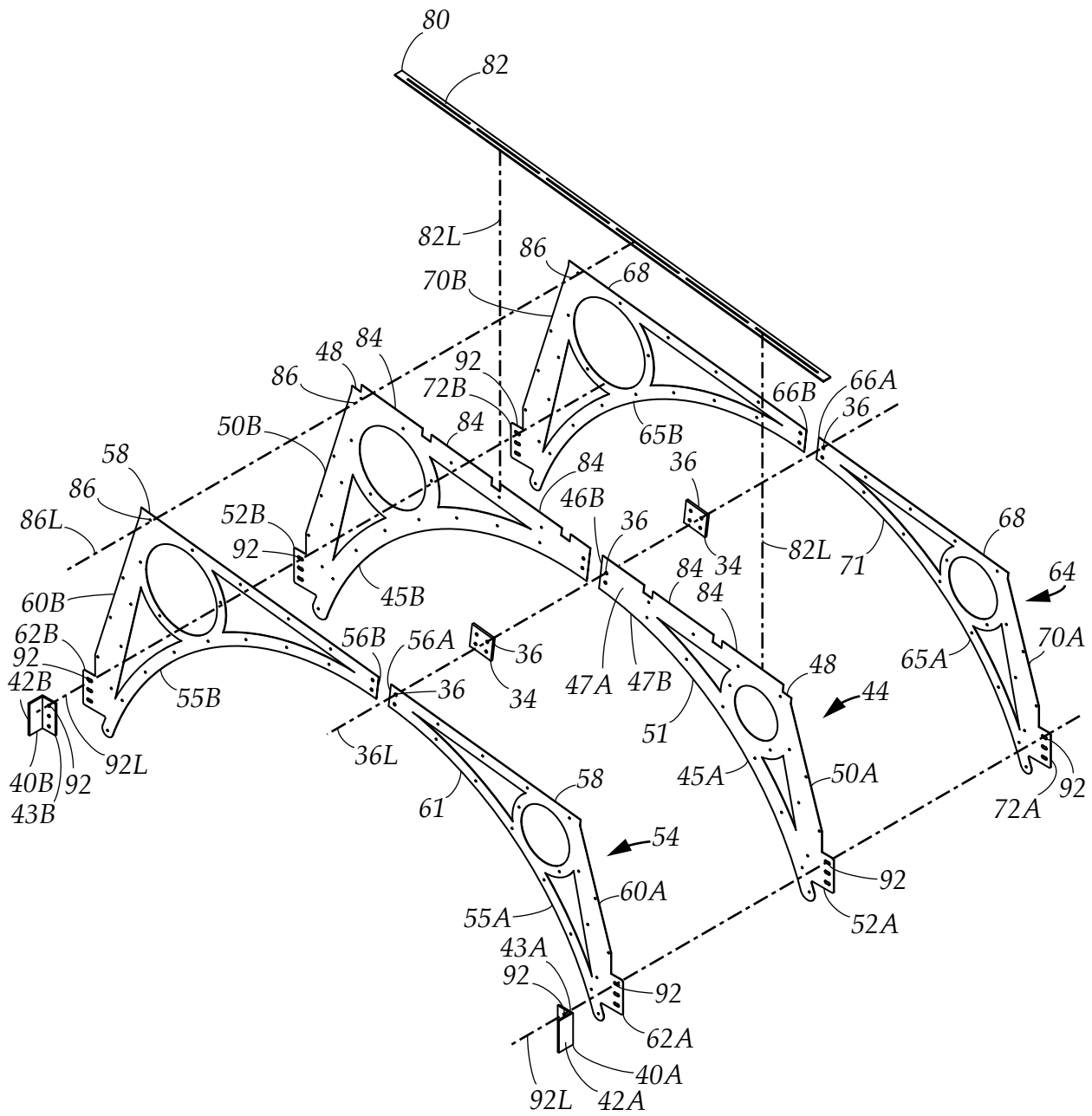


FIG. 2

TIMOTHY B. BARRY
917.747.9313

LAMINATED STRUCTURAL ARCH SYSTEM
U.S. PATENT APPLICATION # 16/116,228

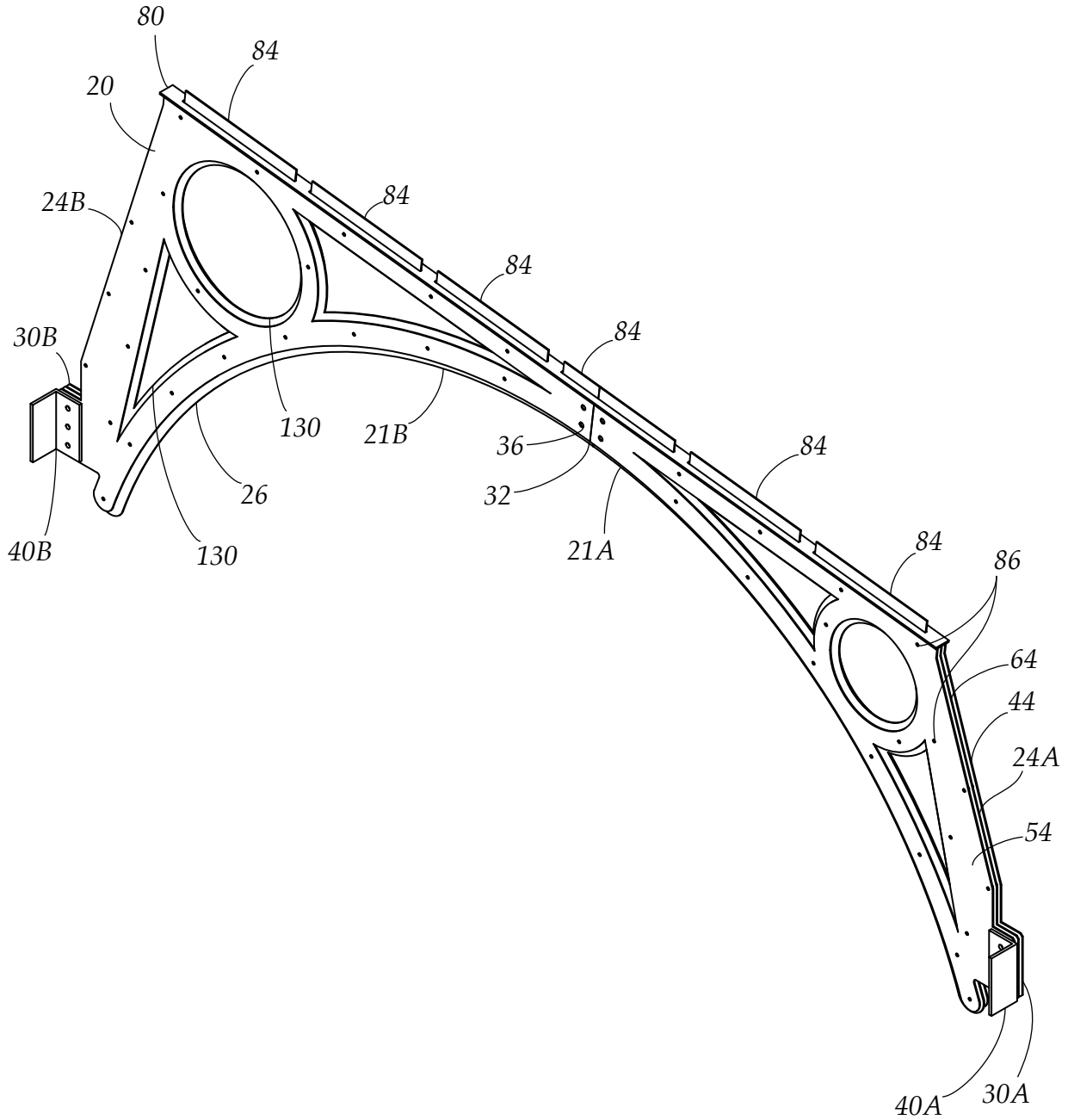


FIG. 3

TIMOTHY B. BARRY
917.747.9313

LAMINATED STRUCTURAL ARCH SYSTEM
U.S. PATENT APPLICATION # 16/116,228

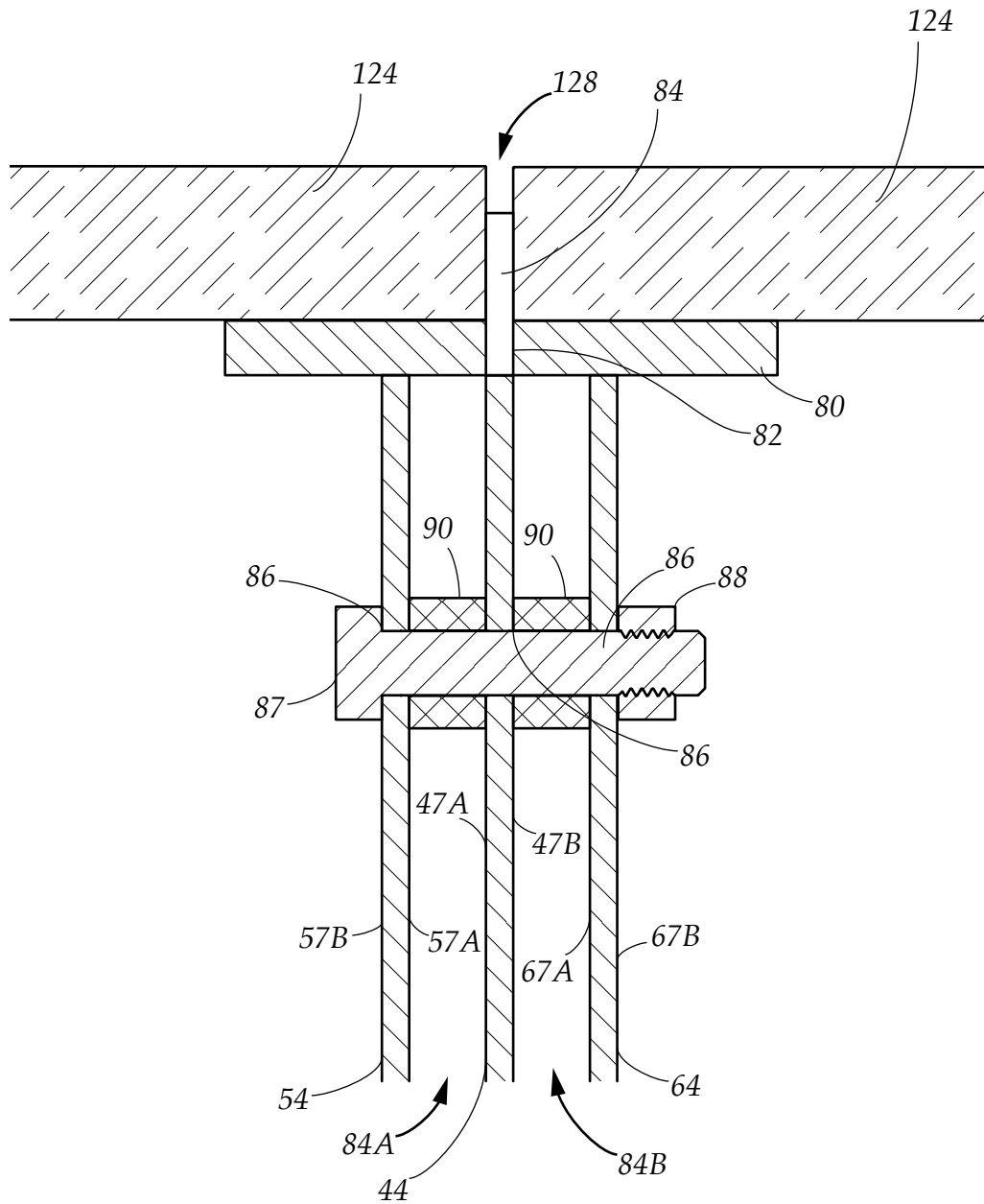


FIG. 4

TIMOTHY B. BARRY
917.747.9313

LAMINATED STRUCTURAL ARCH SYSTEM
U.S. PATENT APPLICATION # 16/116,228

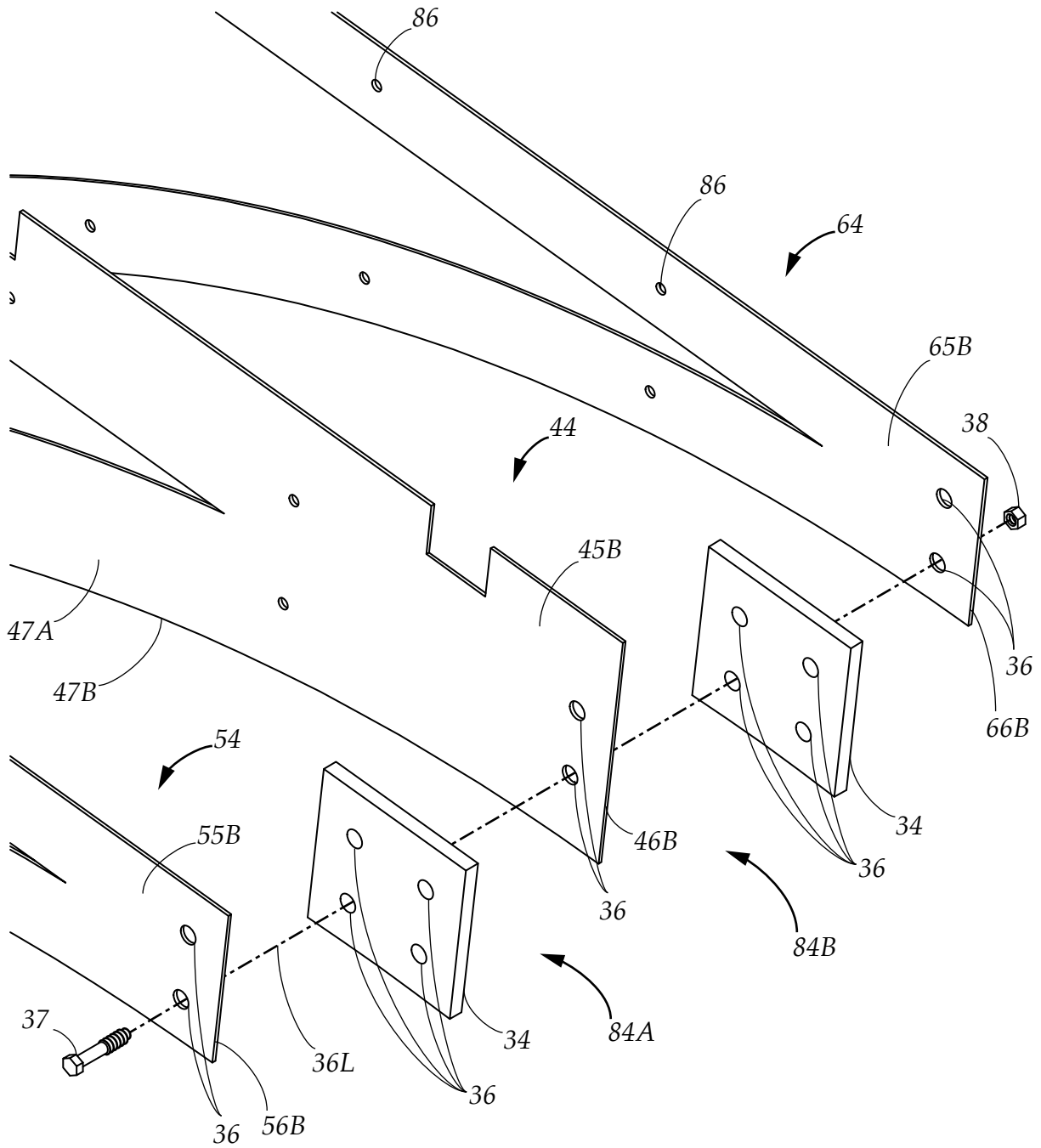


FIG. 5

TIMOTHY B. BARRY
917.747.9313

LAMINATED STRUCTURAL ARCH SYSTEM
U.S. PATENT APPLICATION # 16/116,228

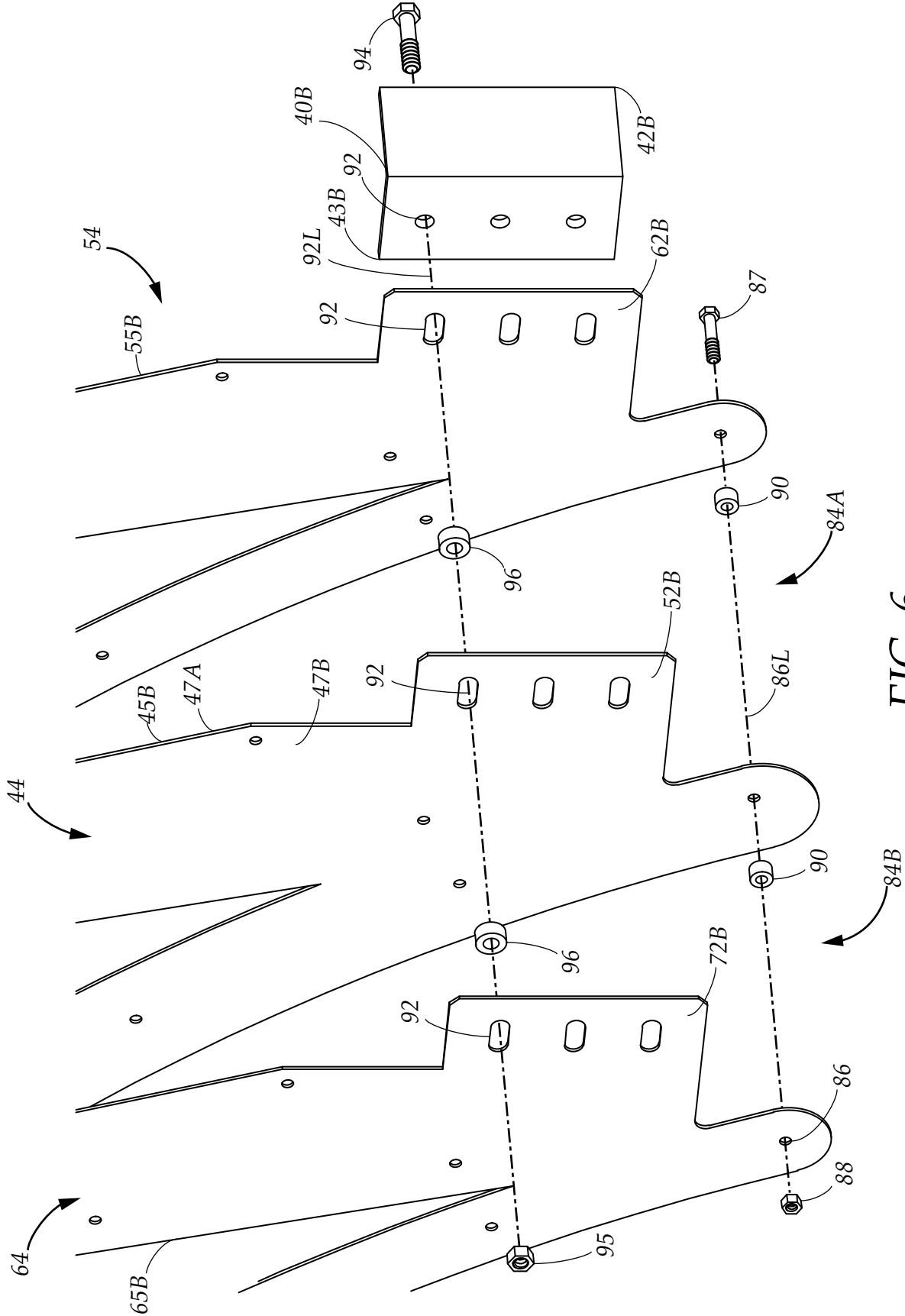


FIG. 6

LAMINATED STRUCTURAL ARCH SYSTEM
U.S. PATENT APPLICATION # 16/116,228

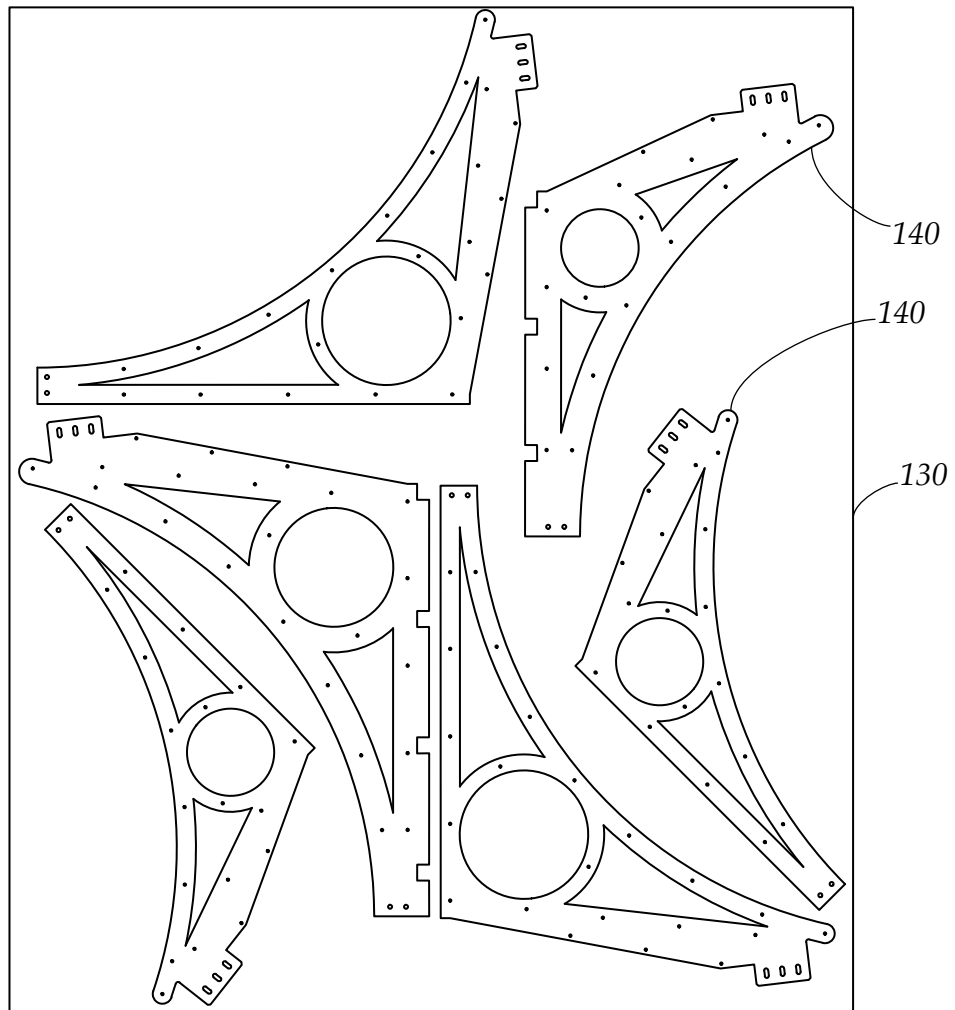


FIG. 7

TIMOTHY B. BARRY
917.747.9313

LAMINATED STRUCTURAL ARCH SYSTEM
U.S. PATENT APPLICATION # 16/116,228

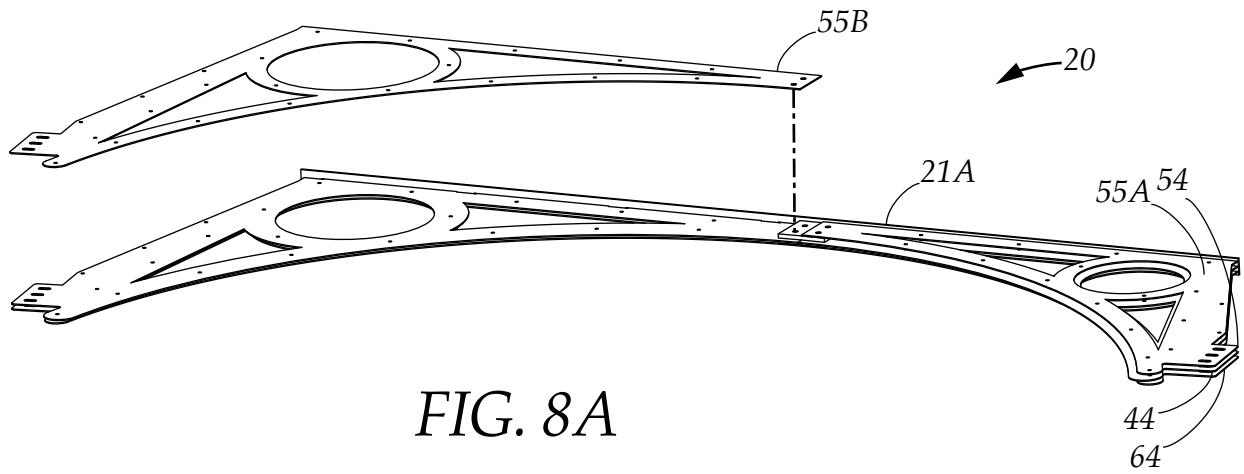


FIG. 8A

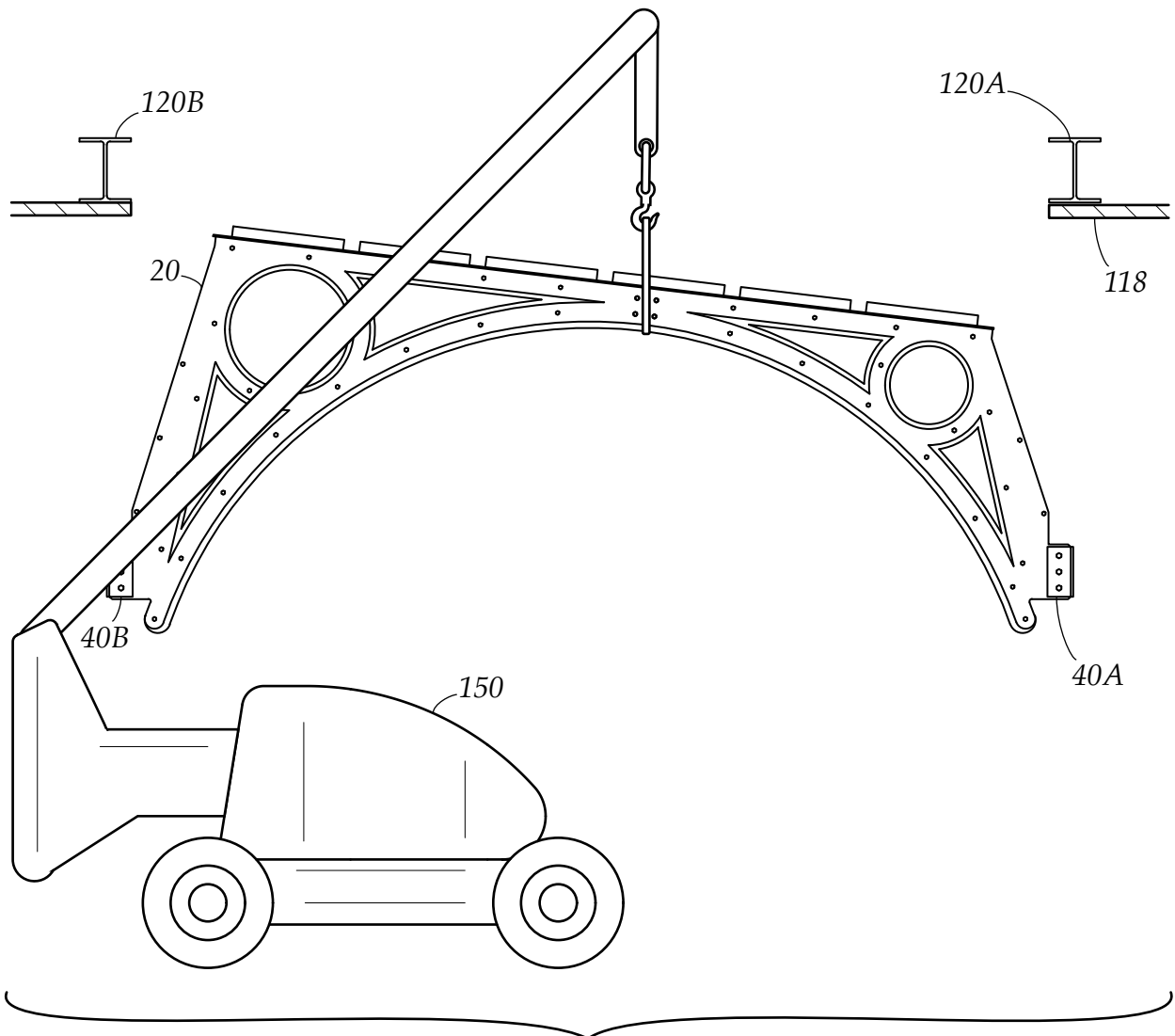


FIG. 8B

TIMOTHY B. BARRY
917.747.9313

LAMINATED STRUCTURAL ARCH SYSTEM
U.S. PATENT APPLICATION # 16/116,228

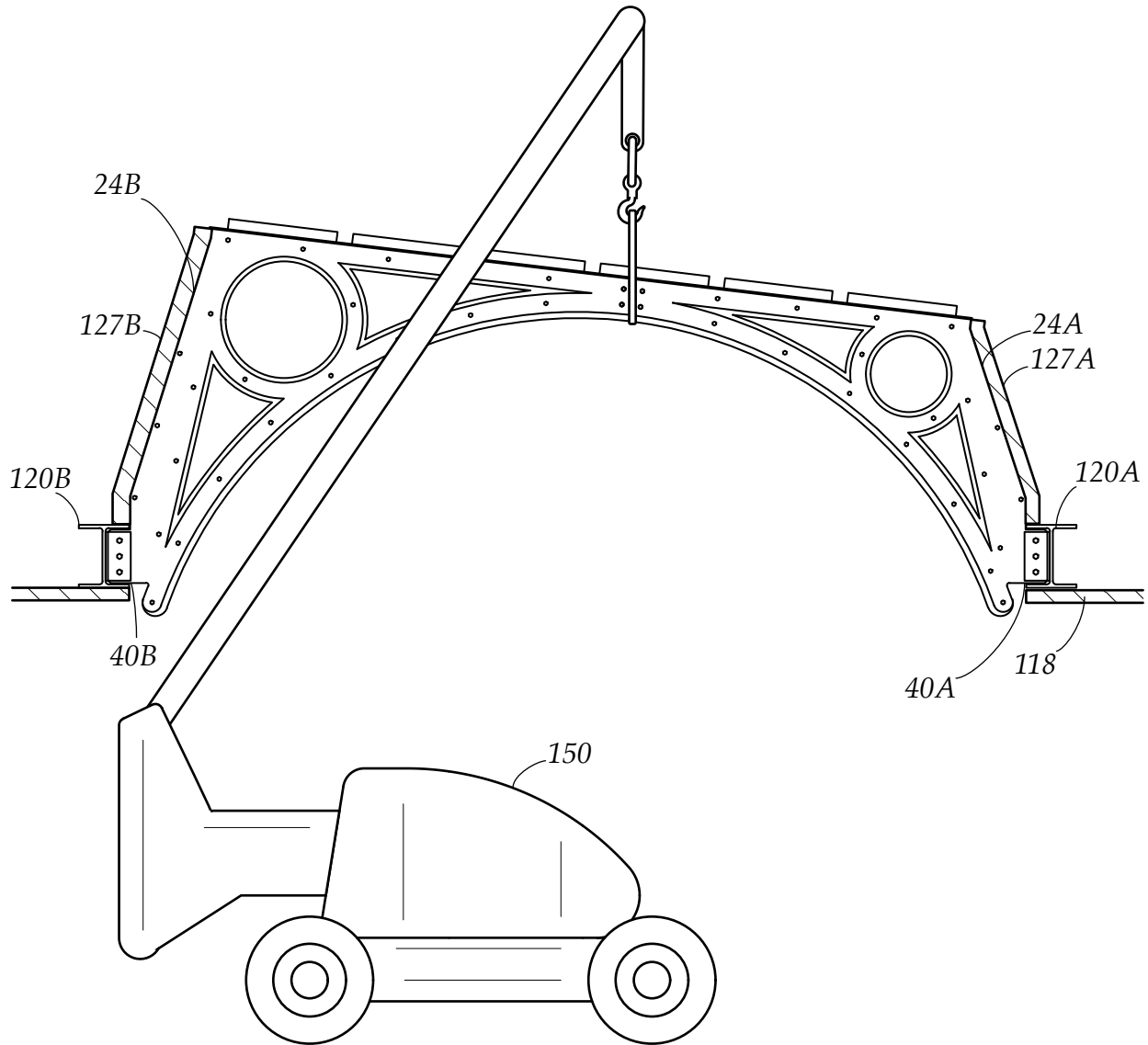


FIG. 8C

TIMOTHY B. BARRY
917.747.9313